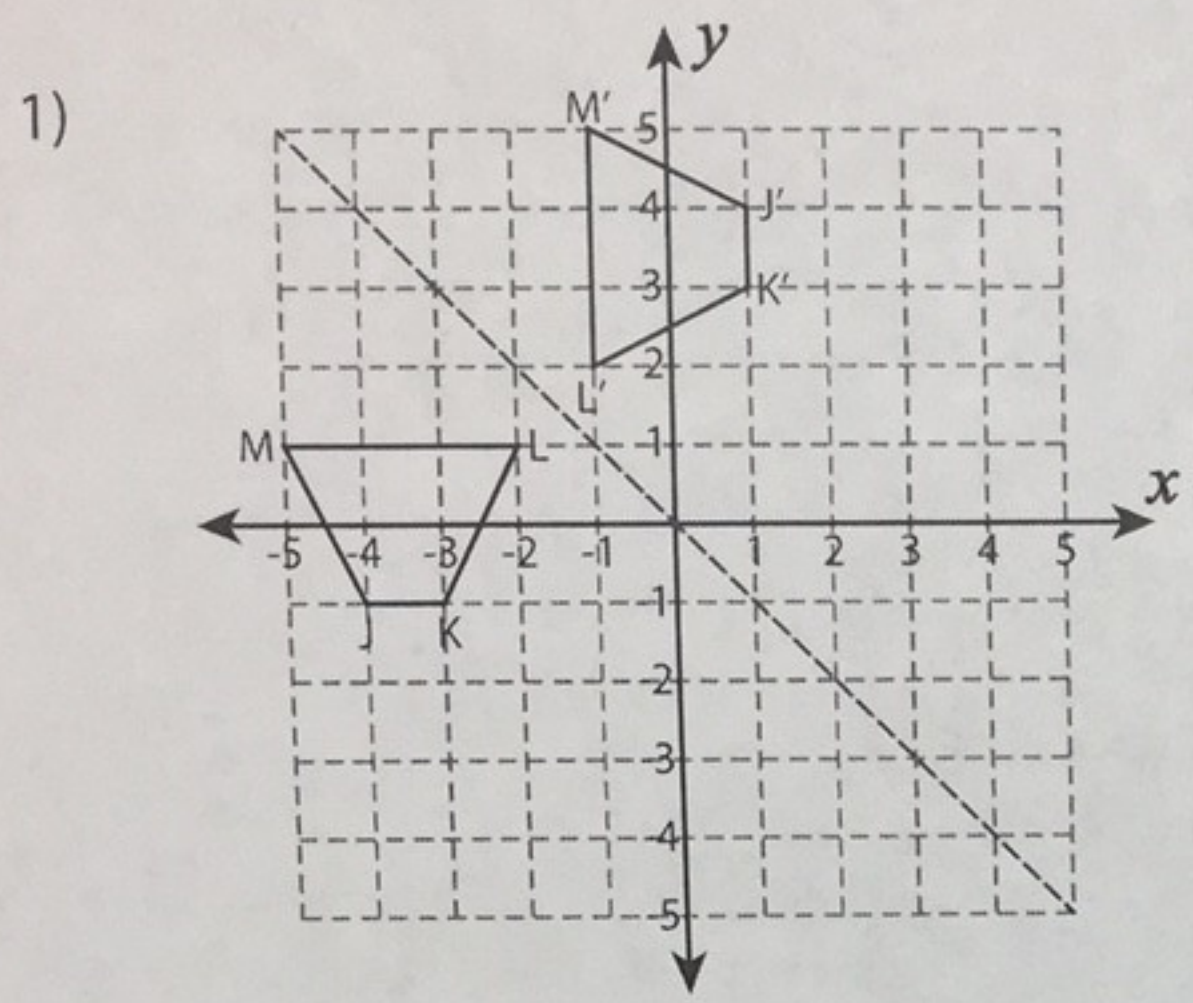
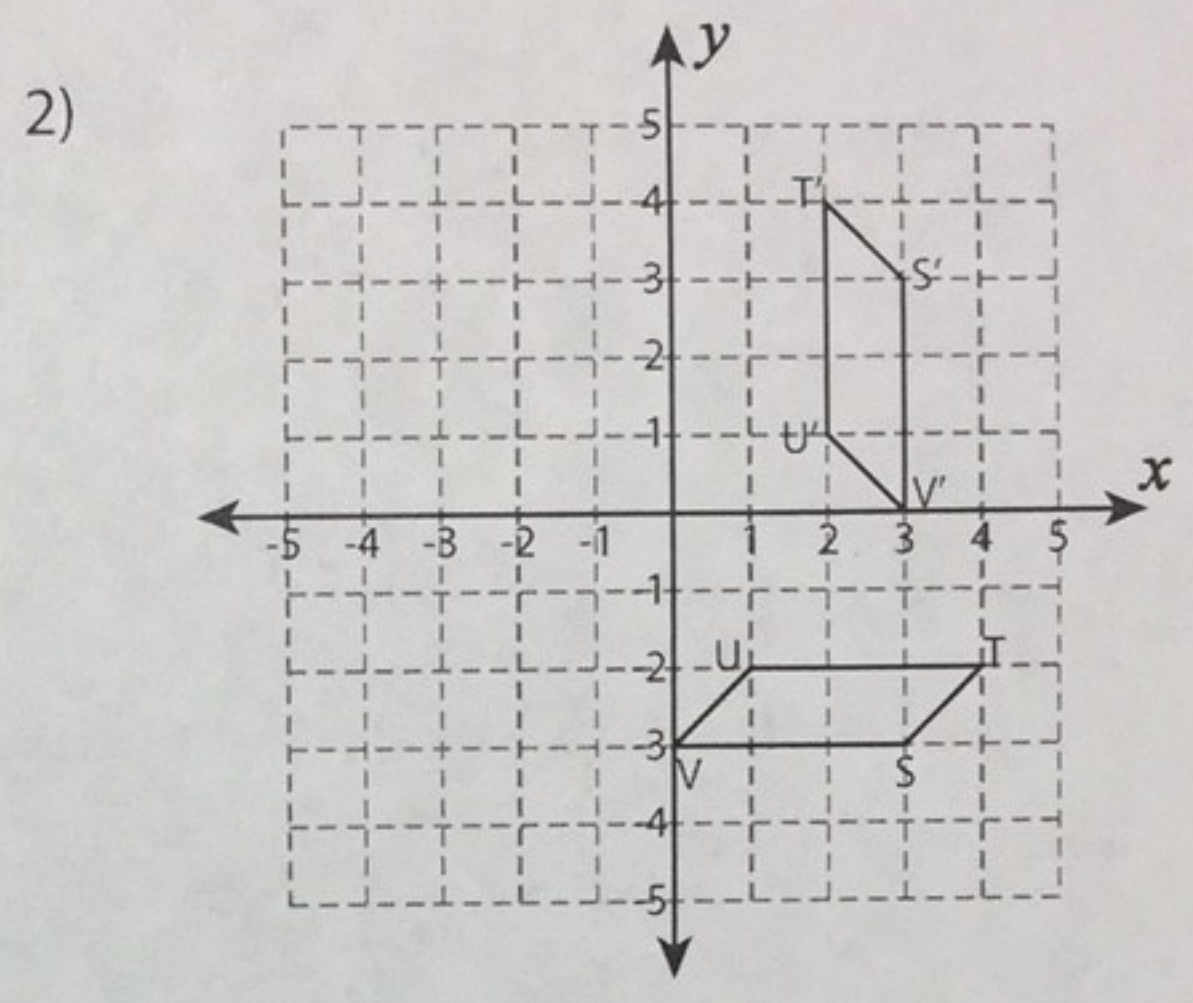


# Transformation of Shapes

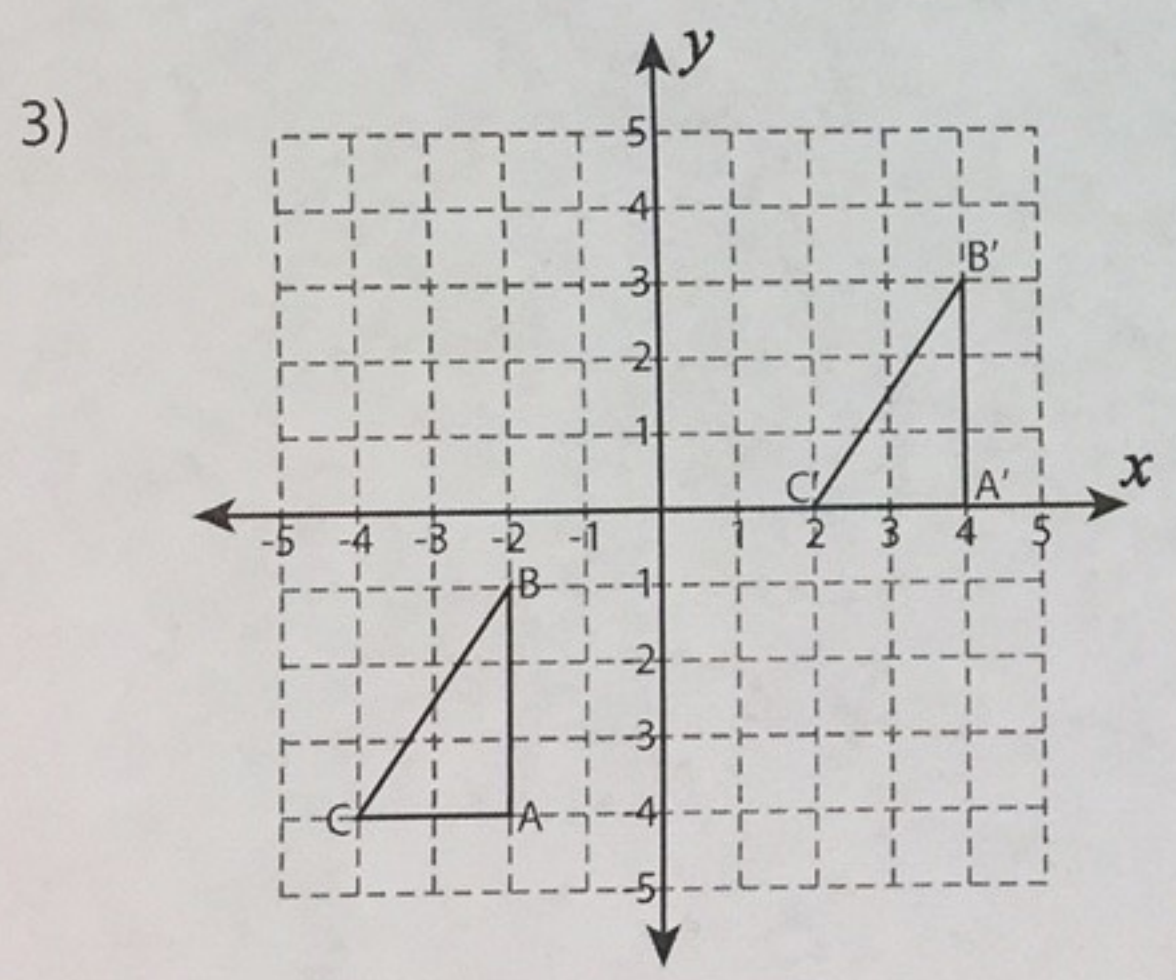
Write a rule to describe each transformation.



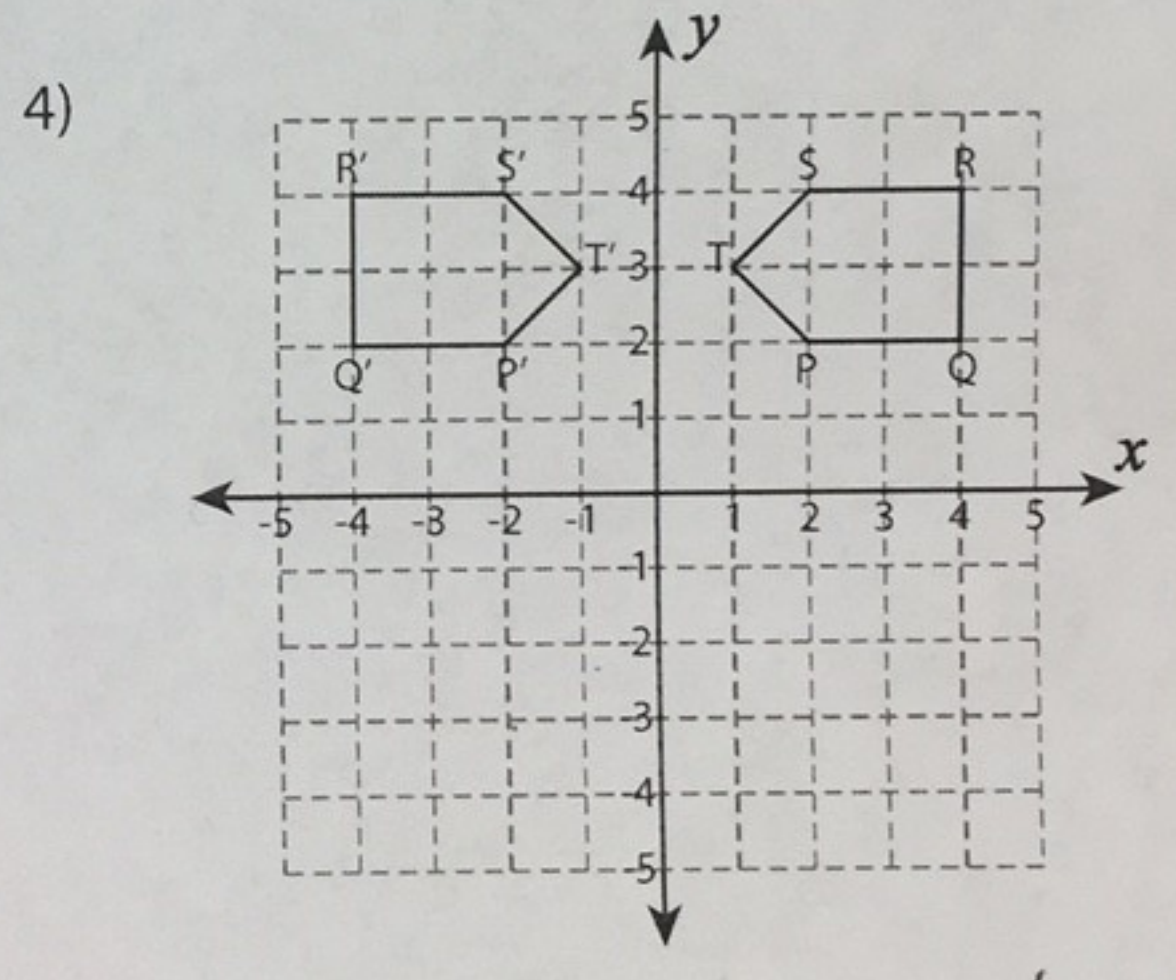
Reflection across the line  $y = -x$



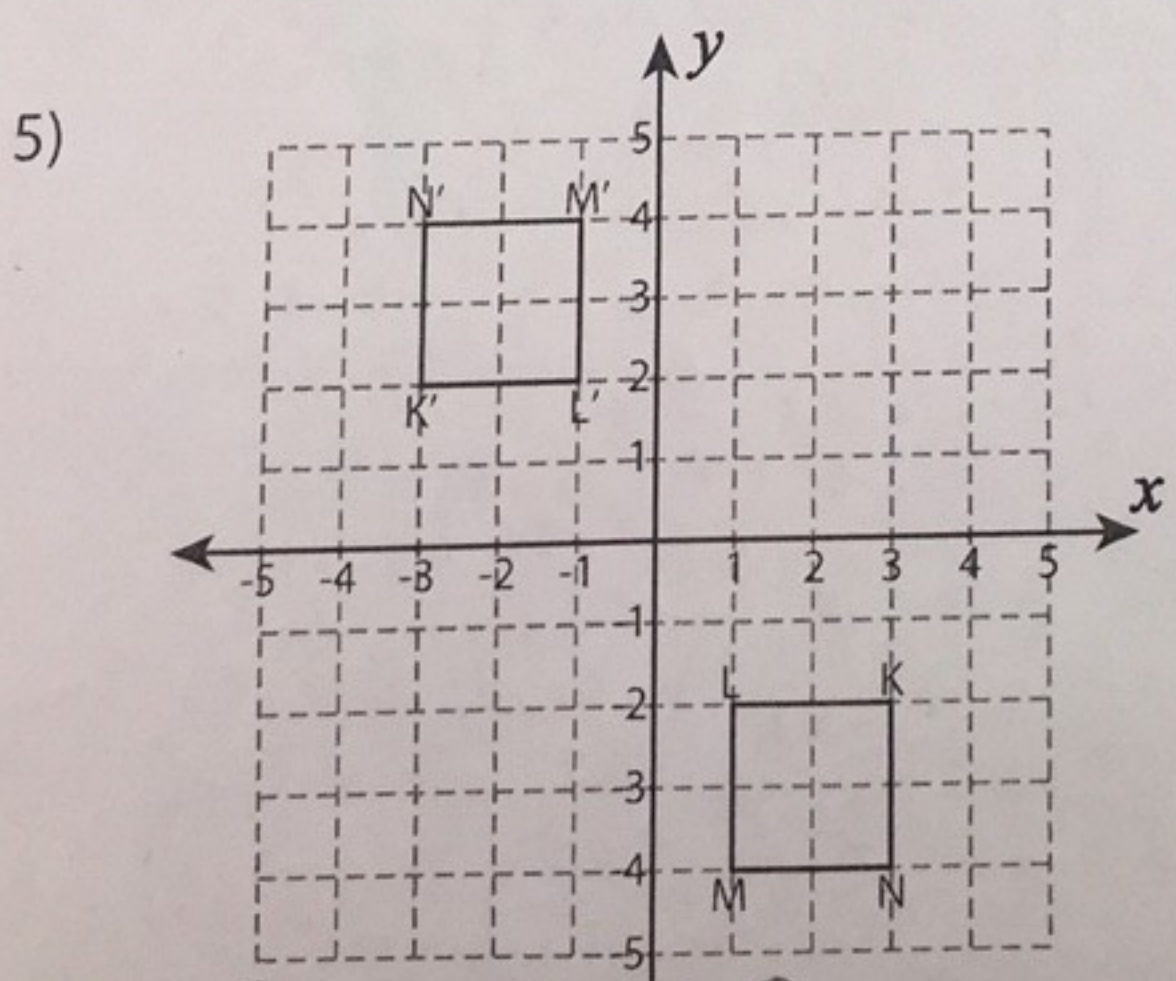
$90^\circ$  counterclockwise rotation about the origin



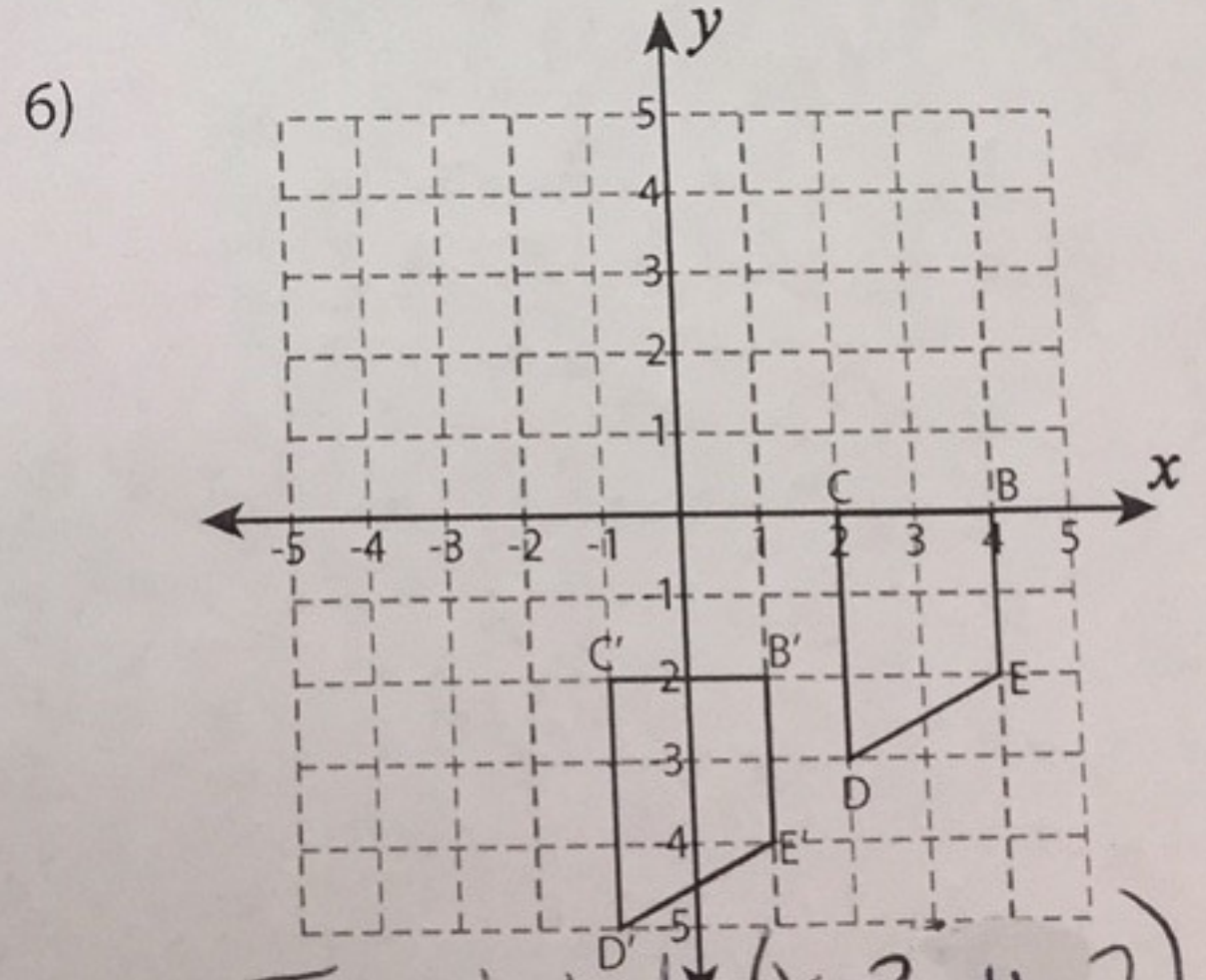
Translating 6 units right and 4 units up



Reflection across the y-axis ( $x=0$ )



Rotated  $180^\circ$  about the origin



Translated ( $x-3, y-2$ )